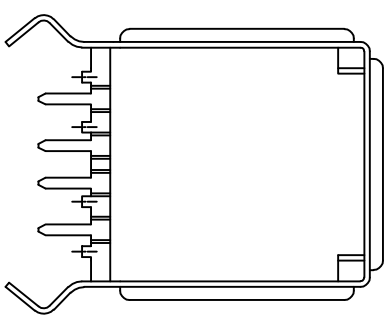
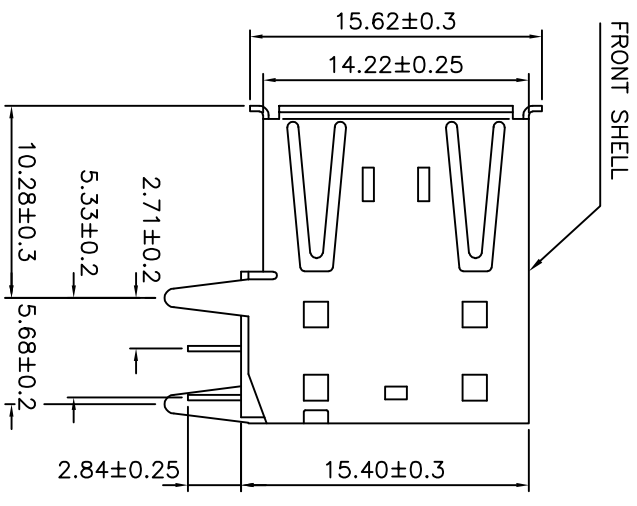
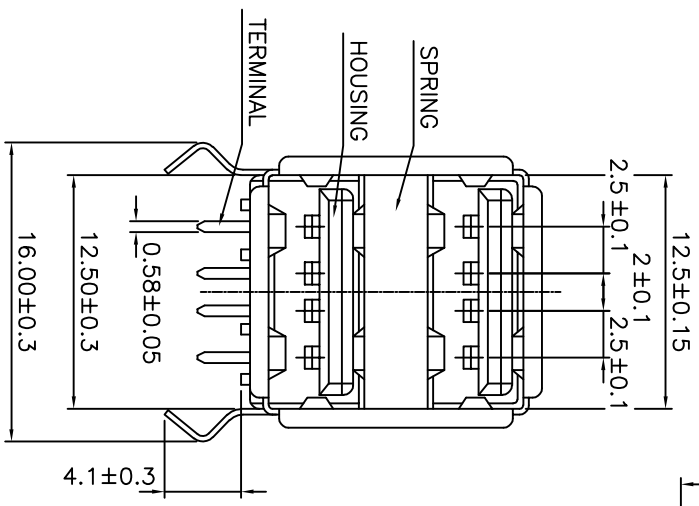
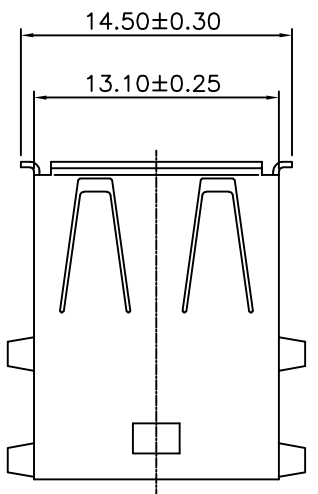


REV	ECN NO.	APP.	DATE
A	NEW DESIGN		

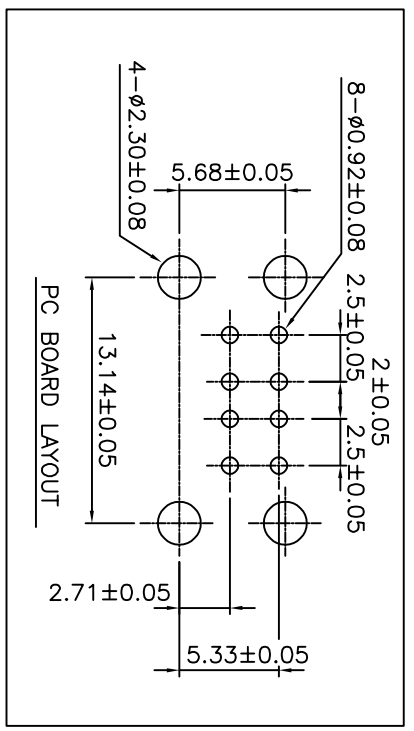


SPECIFICATION

- * Current Rating: 1A
 - * Withstanding Voltage: 750 VAC (1 min.)
 - * Insulation Resistance: 1000 Megohms min.
 - * Contact Resistance: 30 Milliohms max.
 - * Operating Temperature: -40°C to +85°C
- ORDER INFORMATION**
- US02 - X - 08 - S1
- Series: _____ Color: _____ Plating: _____
- NO OF POS. _____
- 1:Beige
2:Black
- Plating: Selective Gold

MATERIAL

- * Contact: Phosphor Bronze
 - * Insulator: PBT & 30% G.F.
 - * Shell: Steel or Copper alloy
 - * Tin Plating
- Selective Gold Plating



SHINHWA TECH CO.,LTD			
0.0±	SCALE:	TITLE:	PART NO:
0.00±	UNIT: MM	USB A-TYPE Female R/A STACK	
0.000±		BPIN FOR P.C.B With Rear Shell	APP BY:
		Dual Row	CHK BY:
		MATL: PBT + 30% G.F.	DR BY:
		DWG NO: US02	

